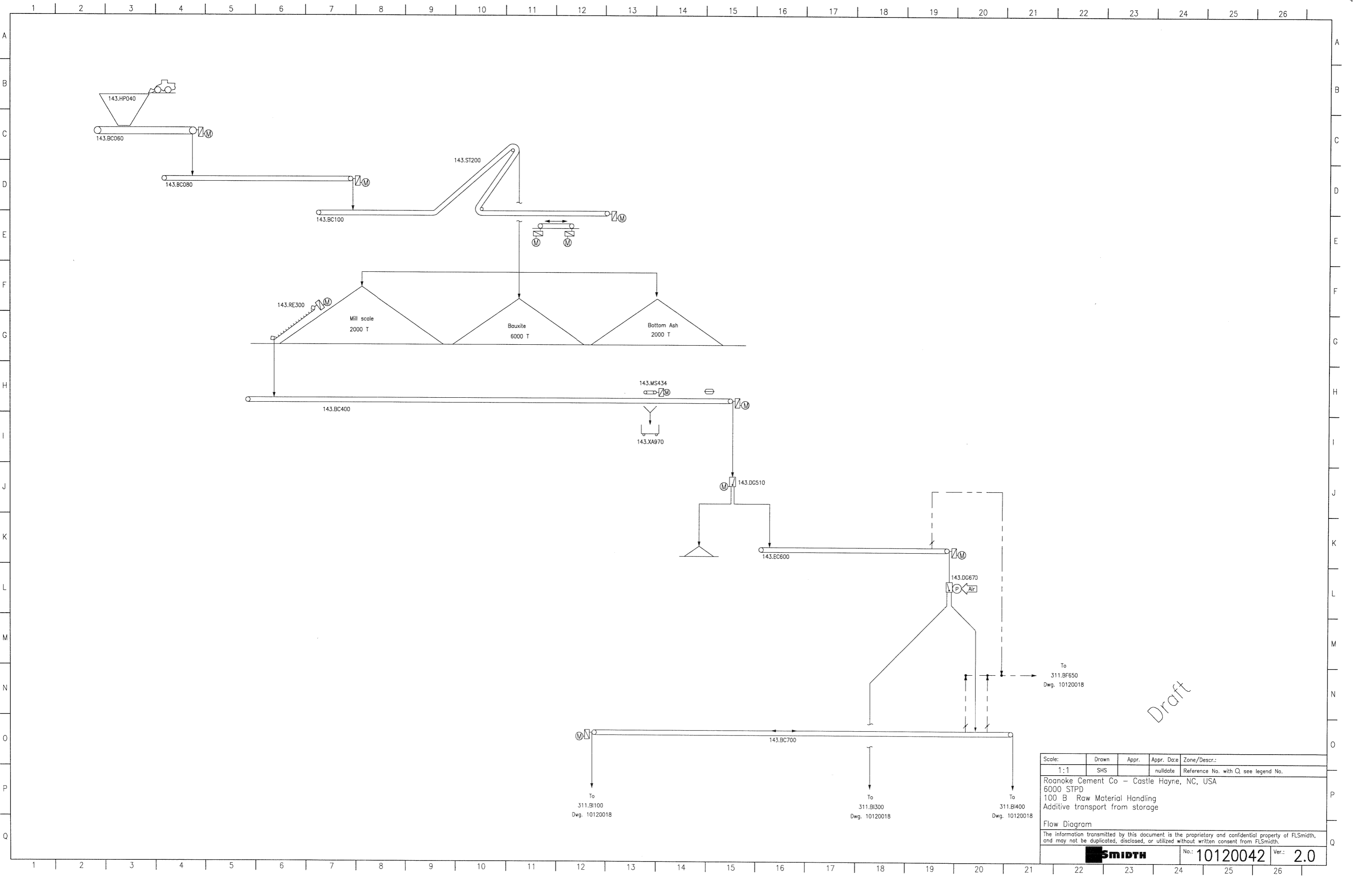


Draft

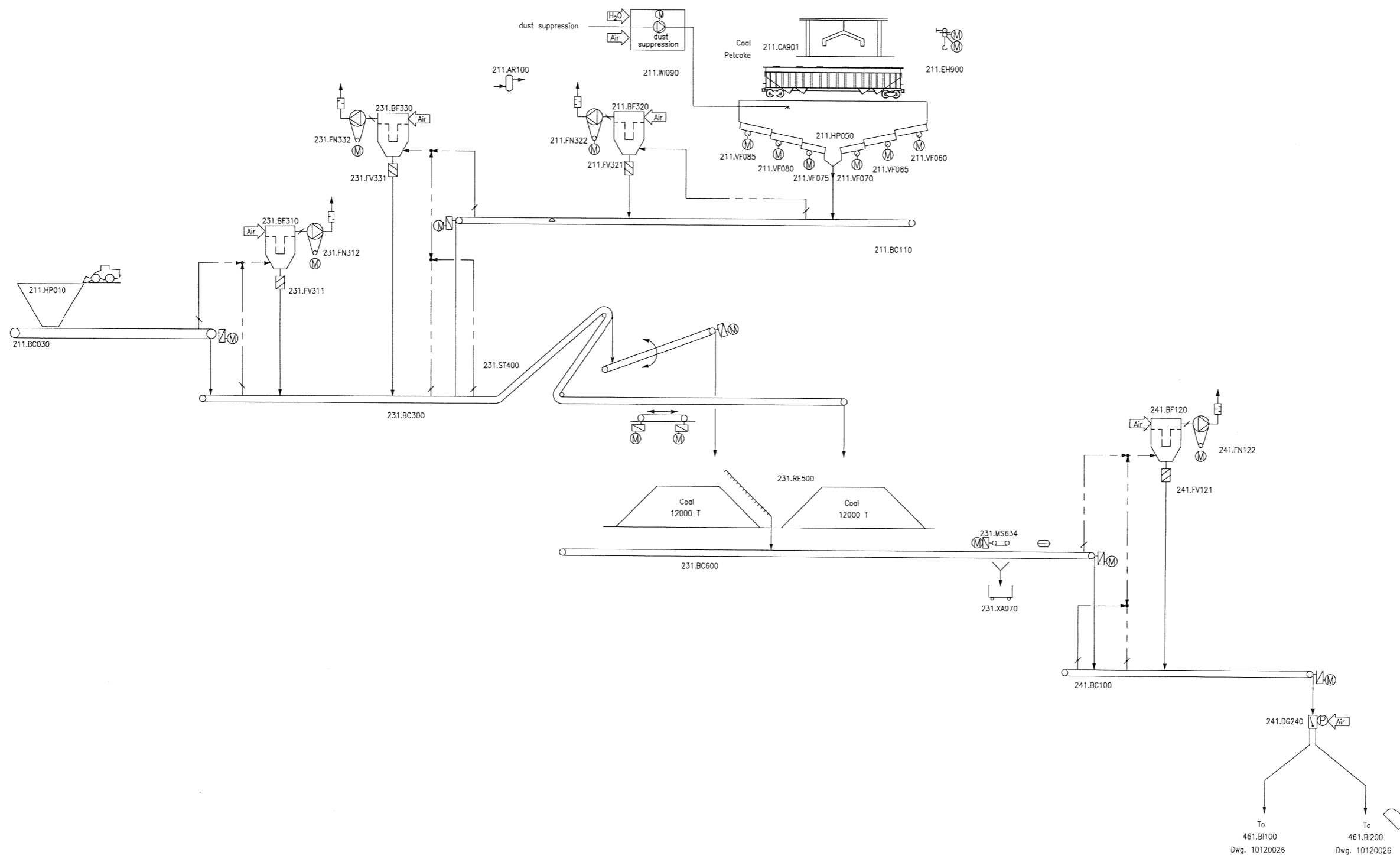
Not in F.L.Smith Scope / future

Scale:	Drawn	Appr.	Appr. Date	Zone/Descr.:
1:1	SHS		nulldate	Reference No. with Q, see legend No.
Roanoke Cement Co - Castle Hayre, NC, USA				
6000 STPD				
100 A Raw Material Handling				
Limestone intake & storage				
Flow Diagram				
The information transmitted by this document is the proprietary and confidential property of FLSmidth, and may not be duplicated, disclosed, or utilized without written consent from FLSmidth.				
				No.: 10120015 Ver.: 1.0

To
311.BI400
Dwg. 10120018

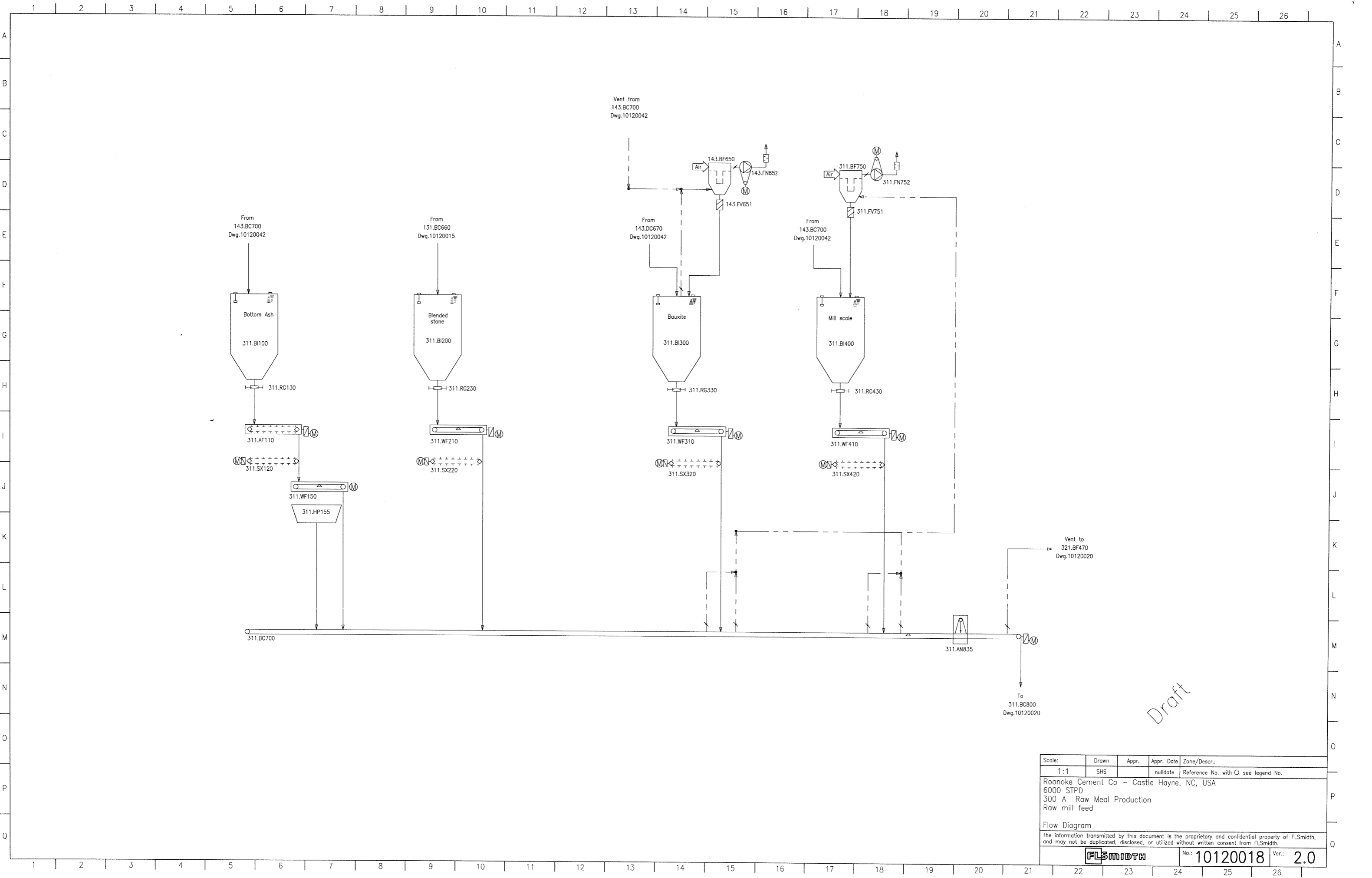


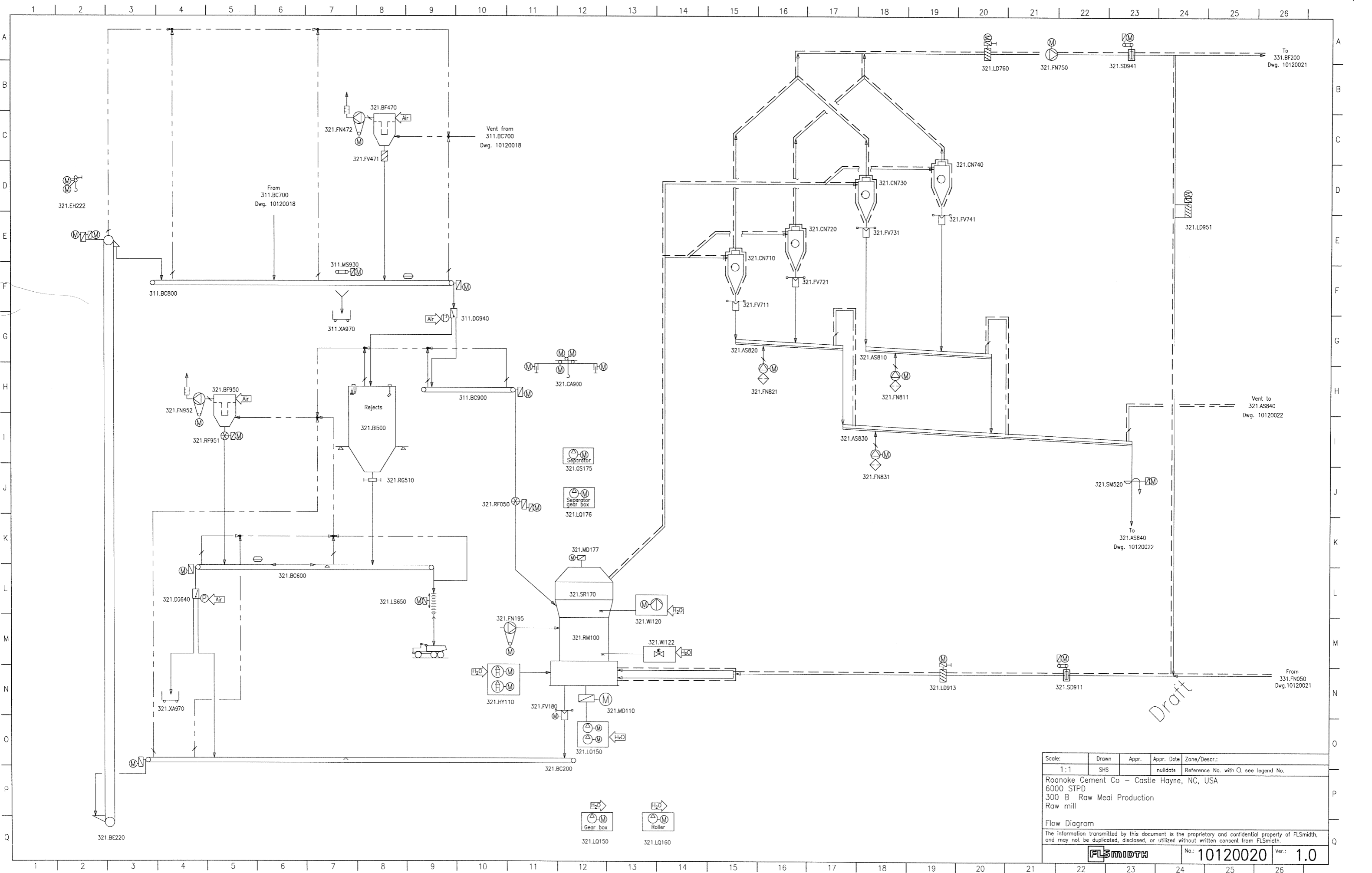
Scale:	Drawn	Appr.	Appr. Date	Zone/Descr.:
1:1	SHS		nulldate	Reference No. with O, see legend No.
Roanoke Cement Co - Castle Hayne, NC, USA				
6000 STPD				
100 B Raw Material Handling				
Additive transport from storage				
Flow Diagram				
The information transmitted by this document is the proprietary and confidential property of FLSmidth, and may not be duplicated, disclosed, or utilized without written consent from FLSmidth.				
FLSMIDTH				No.: 10120042
				Ver.: 2.0



Draft

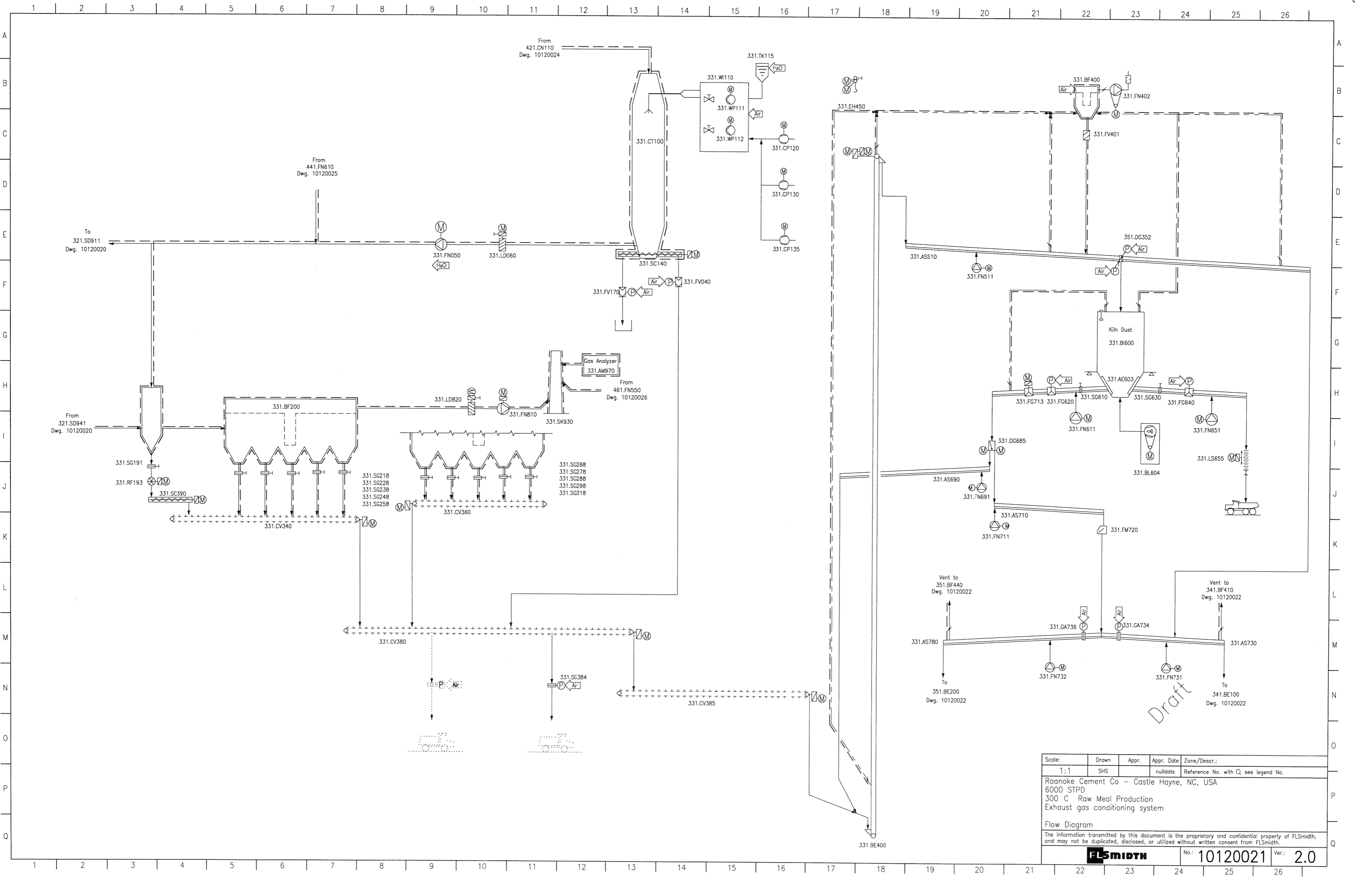
Scale:	Drawn	Appr.	Appr. Date	Zone/Descr.:	
1:1	SHS		nulldate		
Roanoke Cement Co - Castle Hayne, NC, USA					
6000 STPD					
200 Additive and Coal Handling					
Coal intake & transport from storage					
The information transmitted by this document is the proprietary and confidential property of FLSmidth, and may not be duplicated, disclosed, or utilized without written consent from FLSmidth.					
FLSMIDTH				No.: 10120017	Ver.: 1.0





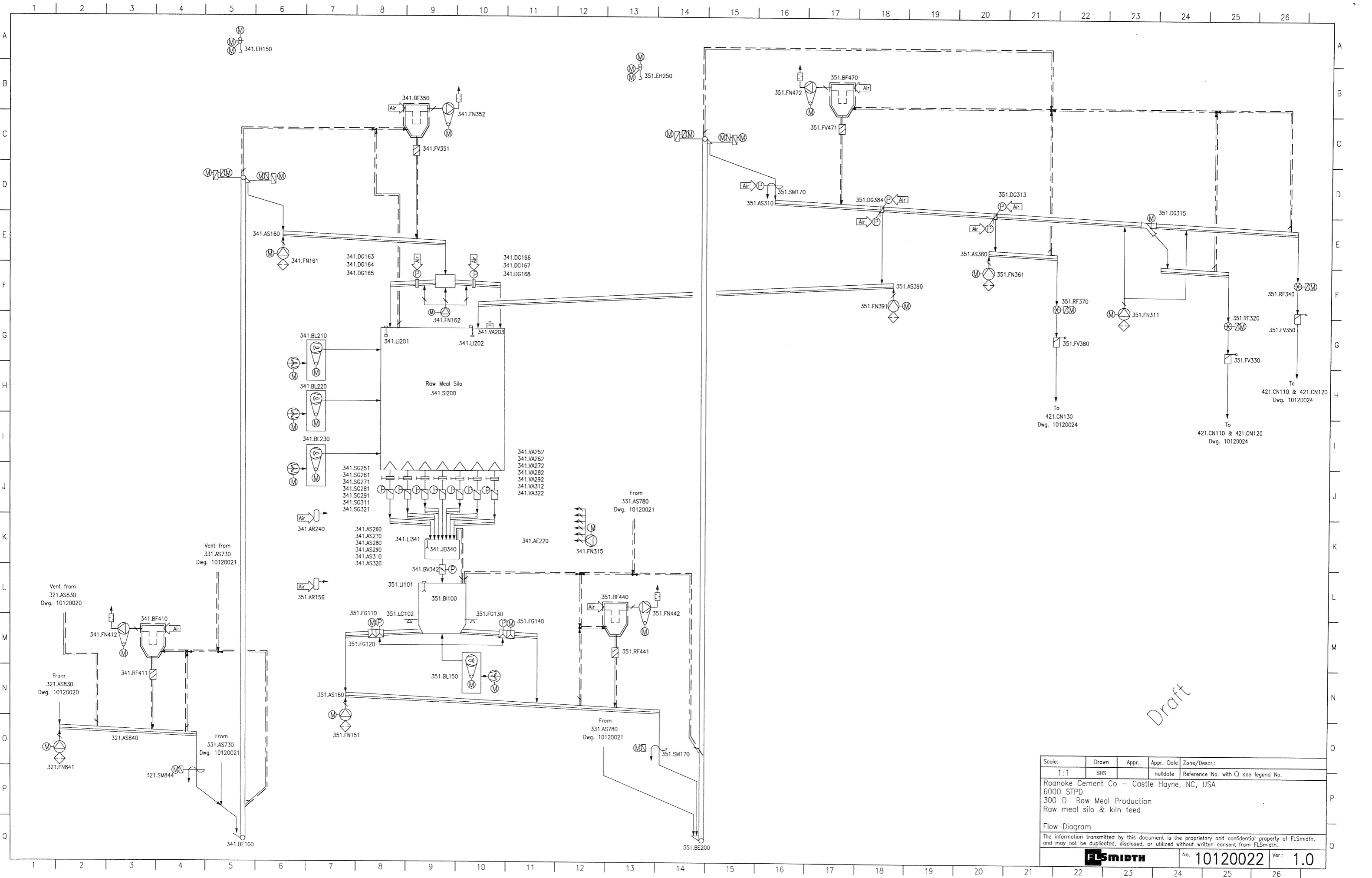
Draft

Scale:	Drawn	Appr.	Appr. Date	Zone/Descr.:
1:1	SHS		nulldate	Reference No. with Q, see legend No.
Roanoke Cement Co - Castle Hayne, NC, USA				
6000 STPD				
300 B Raw Meal Production				
Raw mill				
Flow Diagram				
The information transmitted by this document is the proprietary and confidential property of FLSmidth, and may not be duplicated, disclosed, or utilized without written consent from FLSmidth.				
				No.: 10120020 Ver.: 1.0



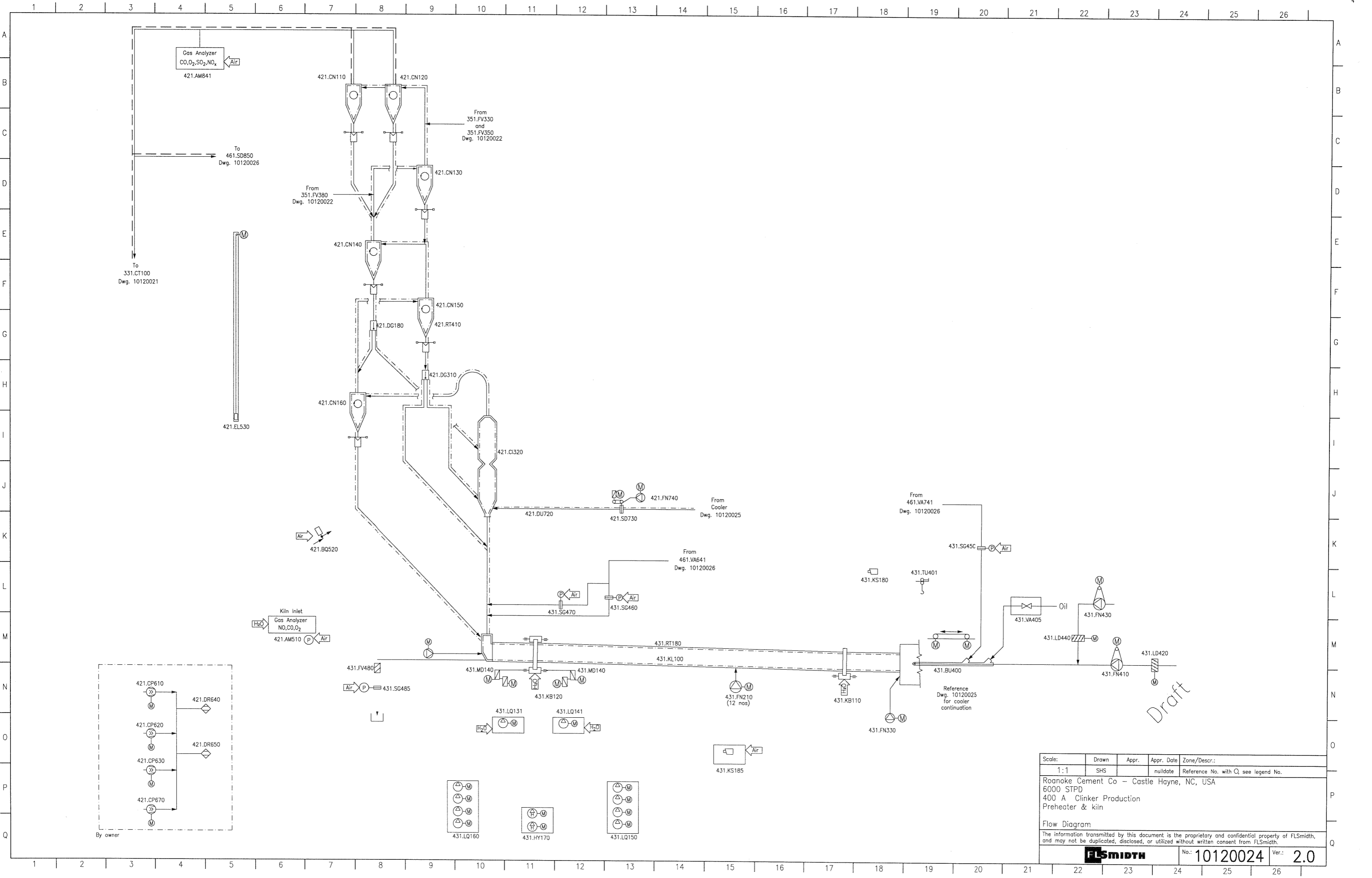
Draft

Scale:	Drawn	Appr.	Appr. Date	Zone/Descr.:
1:1	SHS		nulldate	Reference No. with Q, see legend No.
Roanoke Cement Co - Castle Hayne, NC, USA				
6000 STPD				
300 C Raw Meal Production				
Exhaust gas conditioning system				
Flow Diagram				
The information transmitted by this document is the proprietary and confidential property of FLSmidth, and may not be duplicated, disclosed, or utilized without written consent from FLSmidth.				
FLSMIDTH				No.: 10120021
				Ver.: 2.0

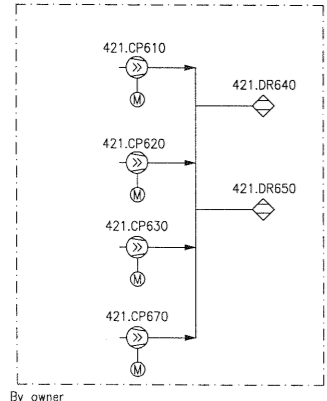


Draft

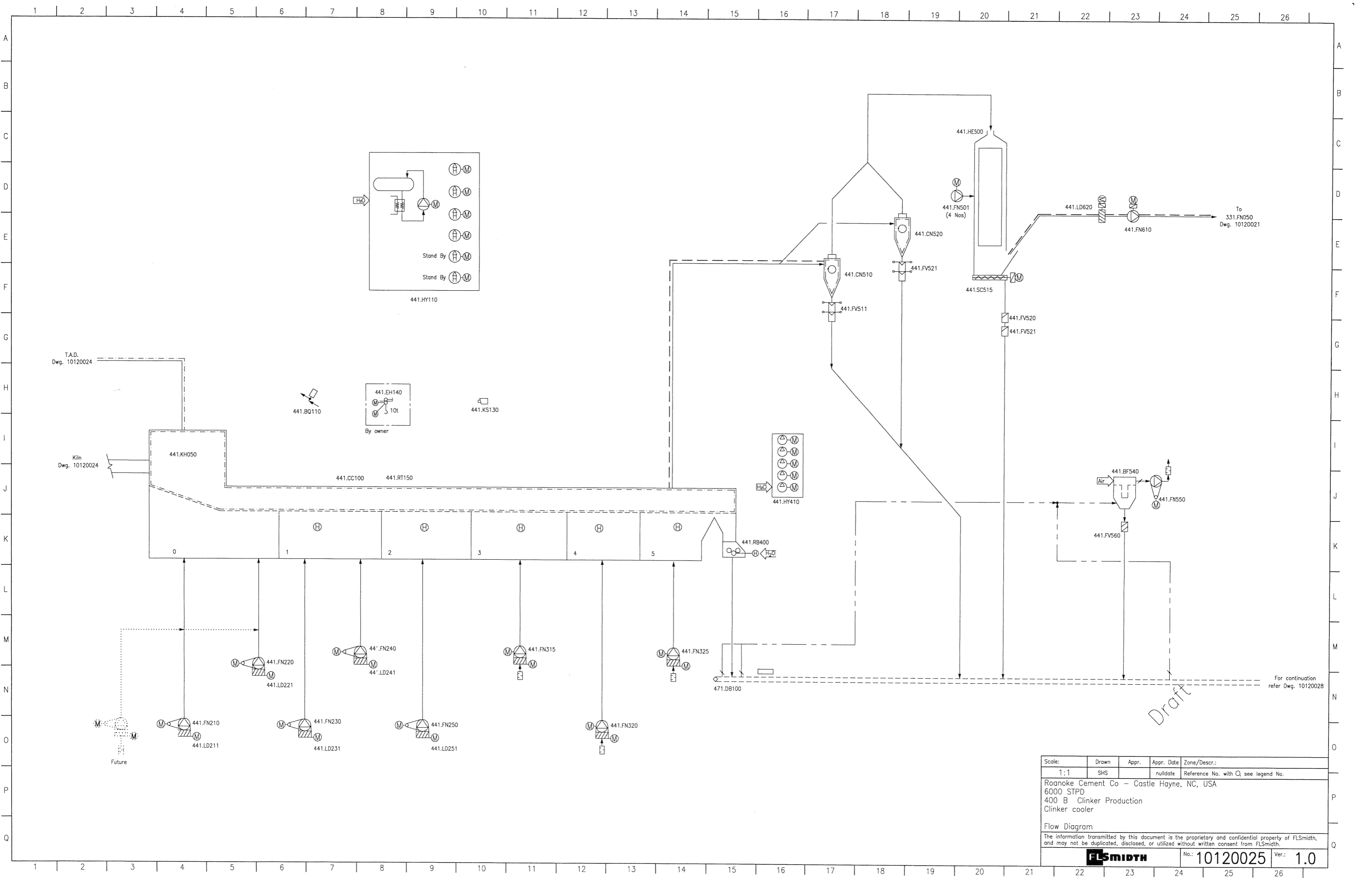
Scale:	Drawn	Appr.	Appr. Date	Zone/Descr.:	
1:1	SHS		nulldate	Reference No. with Q, see legend No.	
Roanoke Cement Co - Castle Hayne, NC, USA					
6000 STPD					
300 D Raw Meal Production					
Raw meal silo & kiln feed					
Flow Diagram					
The information transmitted by this document is the proprietary and confidential property of FLSmidth, and may not be duplicated, disclosed, or utilized without written consent from FLSmidth.					
FLSMIDTH				No.: 10120022	Ver.: 1.0



Draft



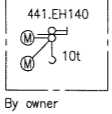
Scale:	Drawn	Appr.	Appr. Date	Zone/Descr.:
1:1	SHS		nulldate	Reference No. with O, see legend No.
Roanoke Cement Co - Castle Hayne, NC, USA				
6000 STPD				
400 A Clinker Production				
Preheater & kiln				
Flow Diagram				
The information transmitted by this document is the proprietary and confidential property of FLSmidth, and may not be duplicated, disclosed, or utilized without written consent from FLSmidth.				
FLSMIDTH				No.: 10120024
				Ver.: 2.0



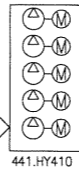
T.A.D.
Dwg. 10120024

Kiln
Dwg. 10120024

441.BQ110



441.KS130

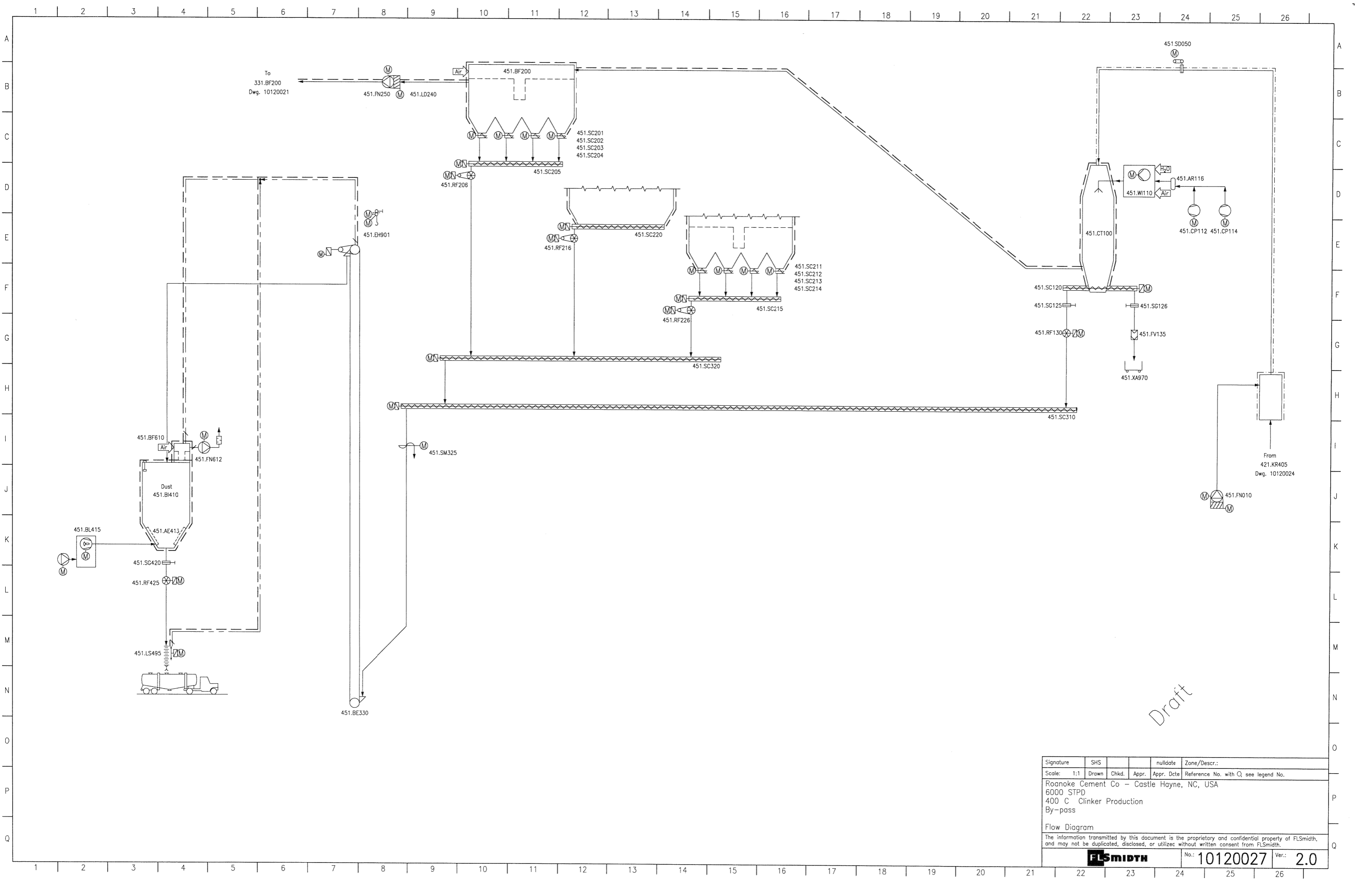


471.DB100

For continuation
refer Dwg. 10120028

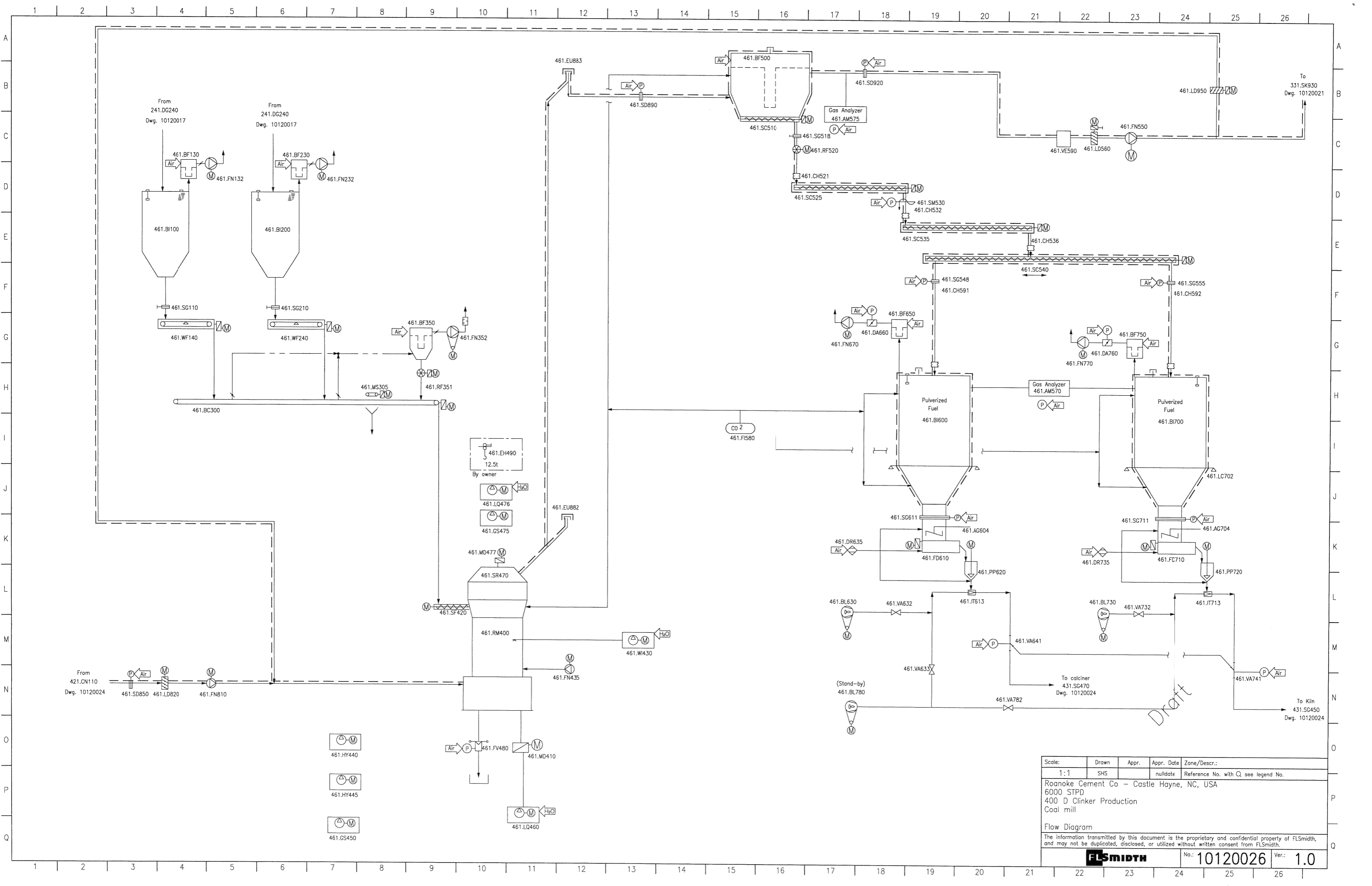
Draft

Scale:	Drawn	Appr.	Appr. Date	Zone/Descr.:
1:1	SHS		nulldate	Reference No. with O, see legend No.
Roanoke Cement Co - Castle Hayne, NC, USA				
6000 STPD				
400 B Clinker Production				
Clinker cooler				
Flow Diagram				
The information transmitted by this document is the proprietary and confidential property of FLSmidth, and may not be duplicated, disclosed, or utilized without written consent from FLSmidth.				
				No.: 10120025
				Ver.: 1.0



Draft

Signature	SHS			nuildate	Zone/Descr.:
Scale: 1:1	Drawn	Chkd.	Appr.	Appr. Dcte	Reference No. with Q, see legend No.
Roanoke Cement Co - Castle Hayne, NC, USA					
6000 STPD					
400 C Clinker Production					
By-pass					
Flow Diagram					
The information transmitted by this document is the proprietary and confidential property of FLSmidth, and may not be duplicated, disclosed, or utilized without written consent from FLSmidth.					
FLSMIDTH				No.:	Ver.:
				10120027	2.0



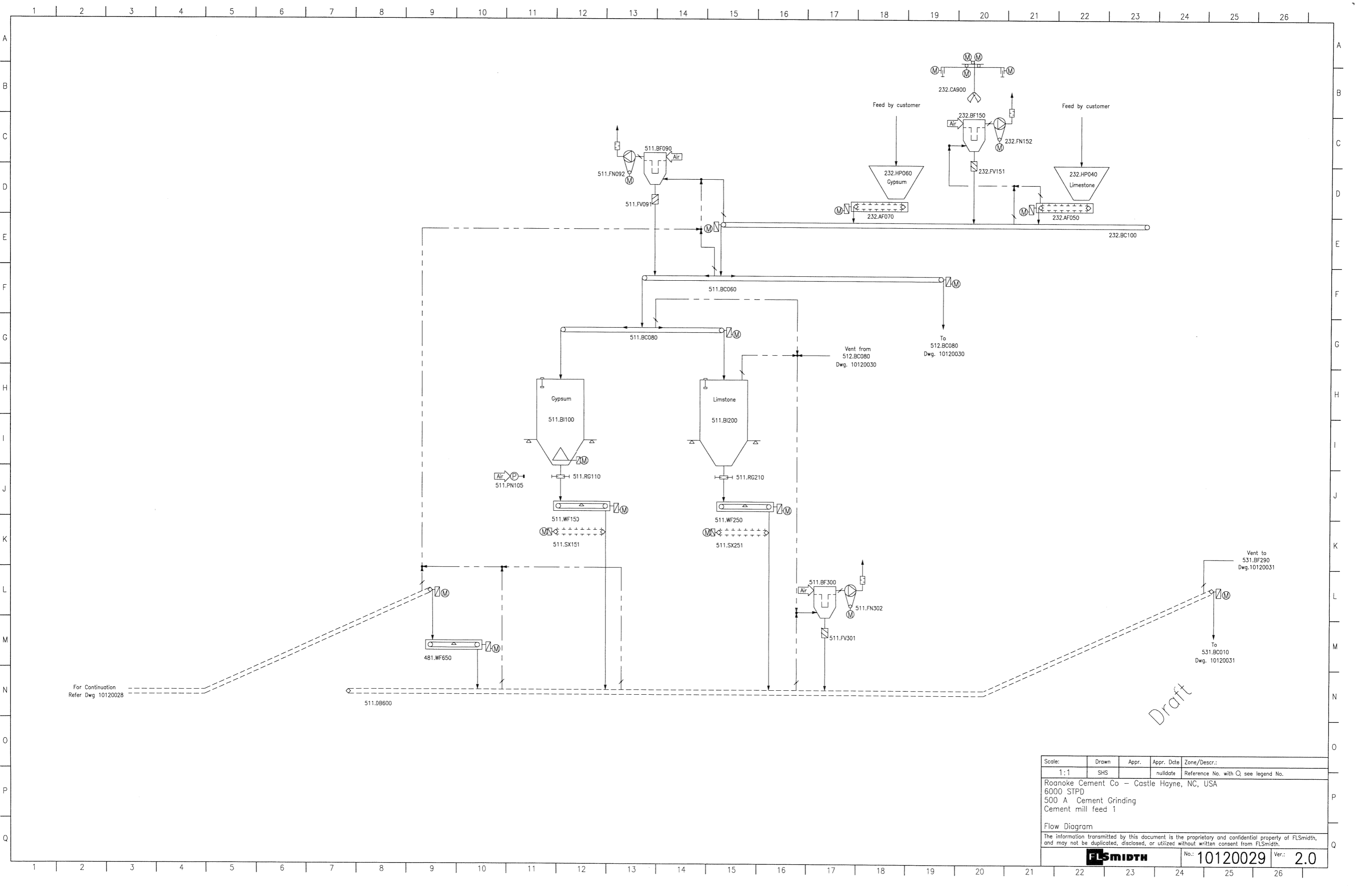
461.EH490
12.5t
By owner

461.HY440

461.HY445

461.GS450

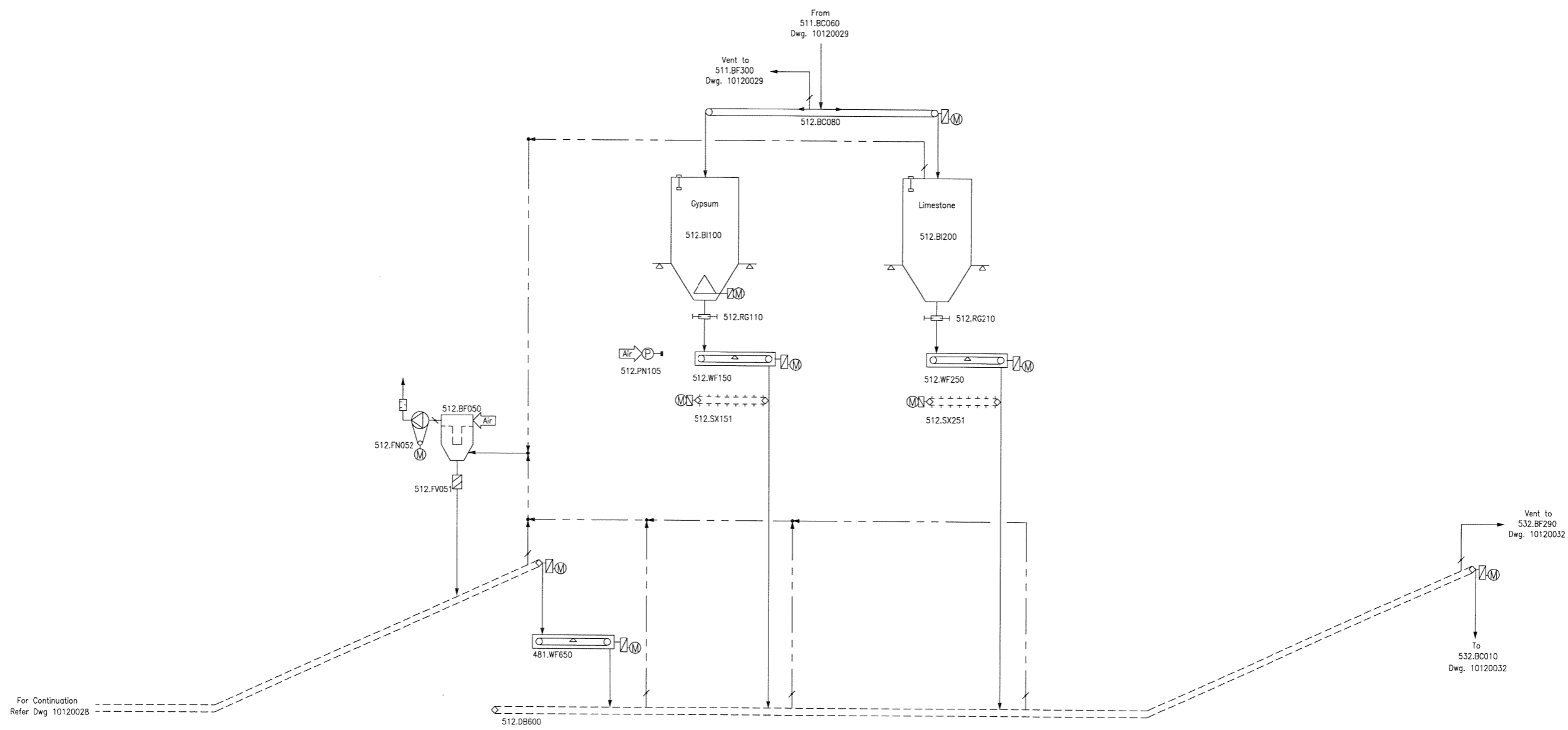
Scale:	Drawn	Appr.	Appr. Date	Zone/Descr.:	
1:1	SHS		nulldate	Reference No. with Q, see legend No.	
Roanoke Cement Co - Castle Hayne, NC, USA					
6000 STPD					
400 D Clinker Production					
Coal mill					
Flow Diagram					
The information transmitted by this document is the proprietary and confidential property of FLSmidth, and may not be duplicated, disclosed, or utilized without written consent from FLSmidth.					
FLSMIDTH				No.: 10120026	Ver.: 1.0



For Continuation
Refer Dwg 10120028

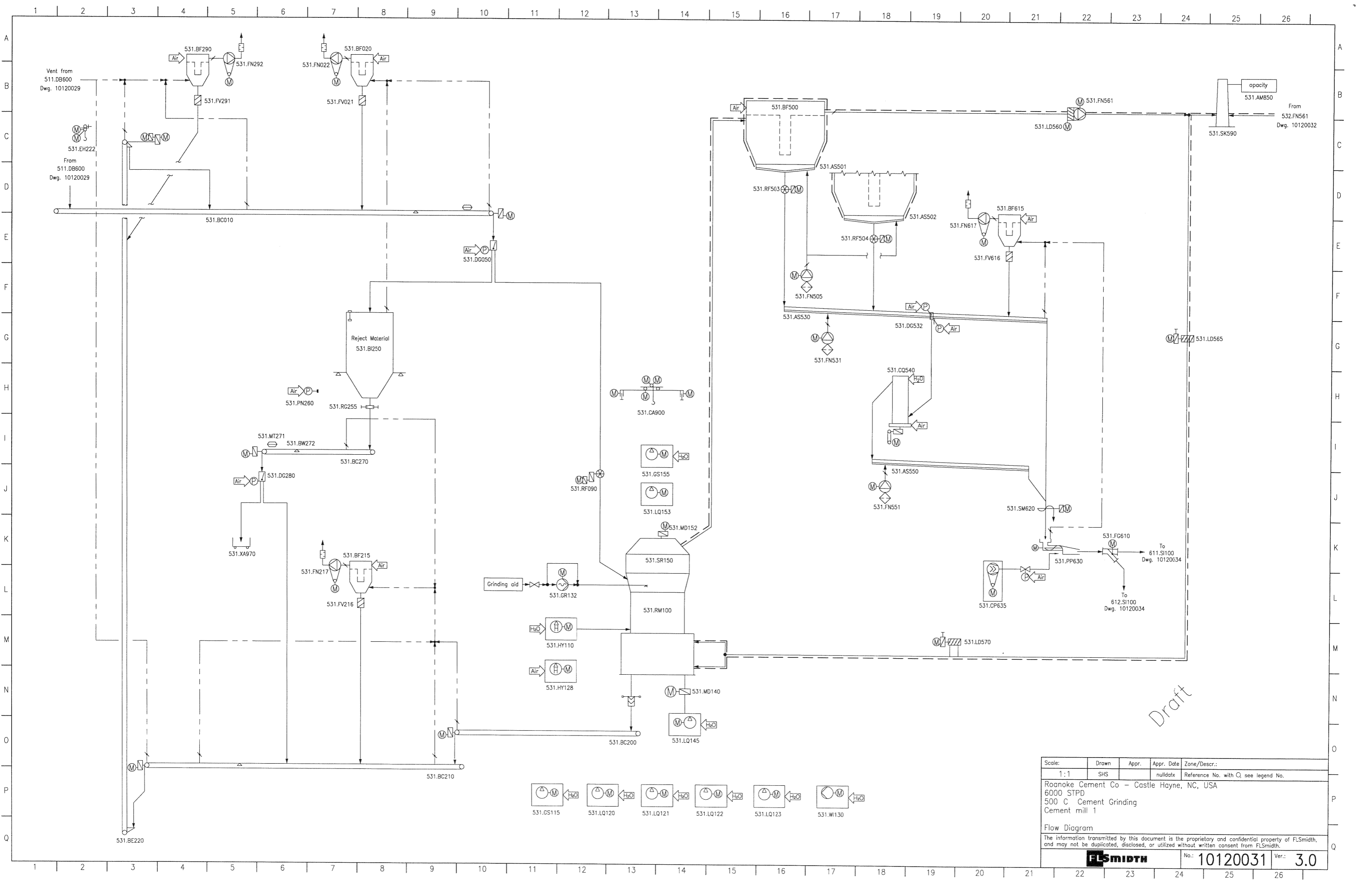
Draft

Scale:	Drawn	Appr.	Appr. Date	Zone/Descr.:	
1:1	SHS		nulldate	Reference No. with O, see legend No.	
Roanoke Cement Co - Castle Hayne, NC, USA					
6000 STPD					
500 A Cement Grinding					
Cement mill feed 1					
Flow Diagram					
The information transmitted by this document is the proprietary and confidential property of FLSmidth, and may not be duplicated, disclosed, or utilized without written consent from FLSmidth.					
FLSMIDTH				No.: 10120029	Ver.: 2.0



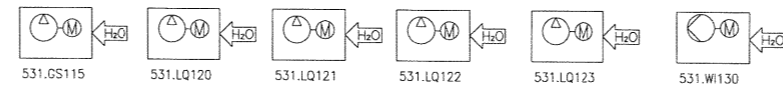
Draft

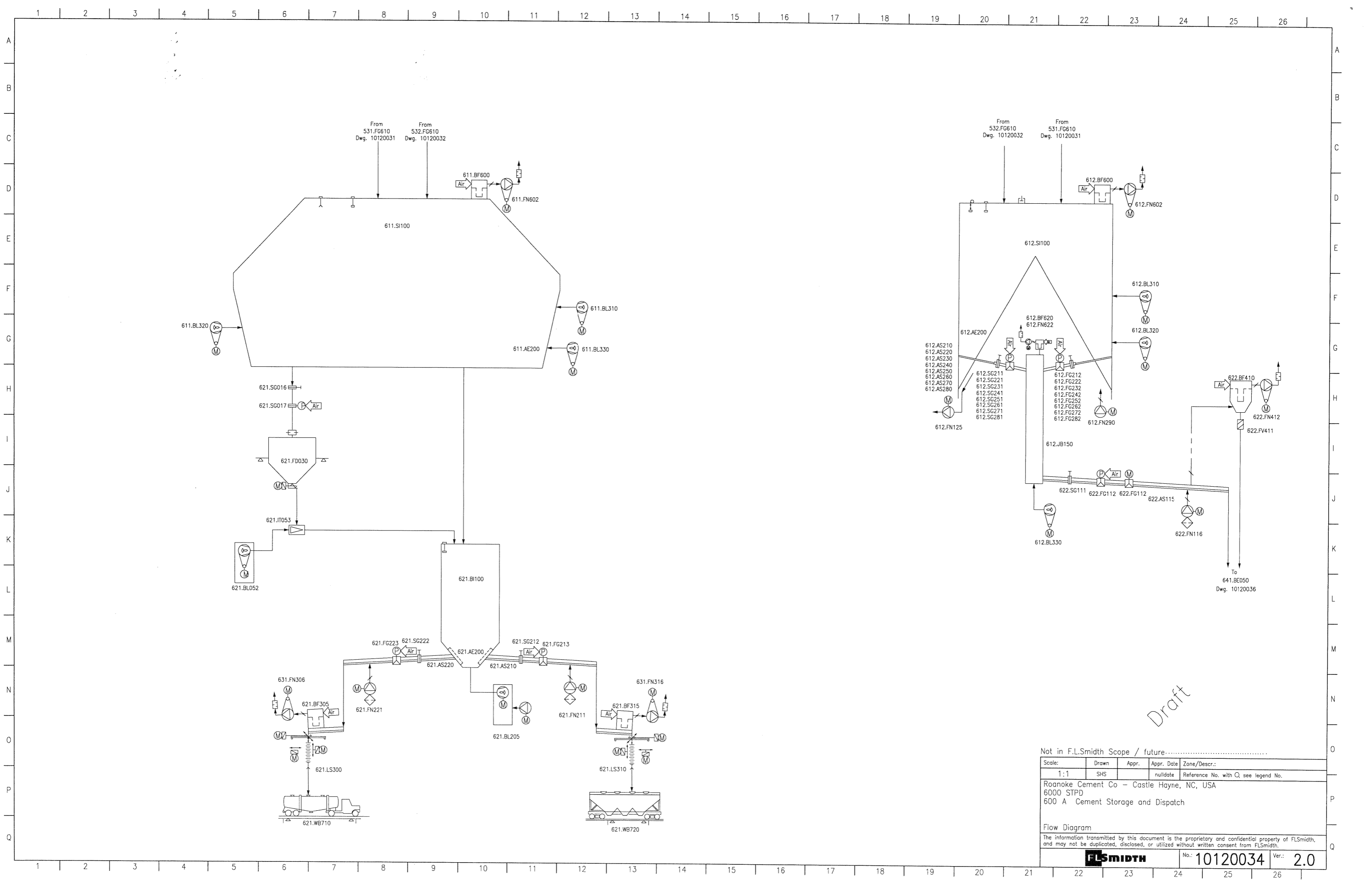
Scale:	Drawn	Appr.	Appr. Date	Zone/Descr.:
1:1	SHS		nulldate	Reference No. with Q, see legend No.
Roanoke Cement Co - Castle Hayne, NC, USA				
6000 STPD				
500 B Cement Grinding				
Cement mill feed 2				
Flow Diagram				
The information transmitted by this document is the proprietary and confidential property of FLSmidth, and may not be duplicated, disclosed, or utilized without written consent from FLSmidth.				
				No.: 10120030 Ver.: 2.0



Draft

Scale:	Drawn	Appr.	Appr. Date	Zone/Descr.:	
1:1	SHS		nulldate	Reference No. with Q, see legend No.	
Roanoke Cement Co - Castle Hayne, NC, USA					
6000 STPD					
500 C Cement Grinding					
Cement mill 1					
Flow Diagram					
The information transmitted by this document is the proprietary and confidential property of FLSmidth, and may not be duplicated, disclosed, or utilized without written consent from FLSmidth.					
FLSMIDTH				No.: 10120031	Ver.: 3.0

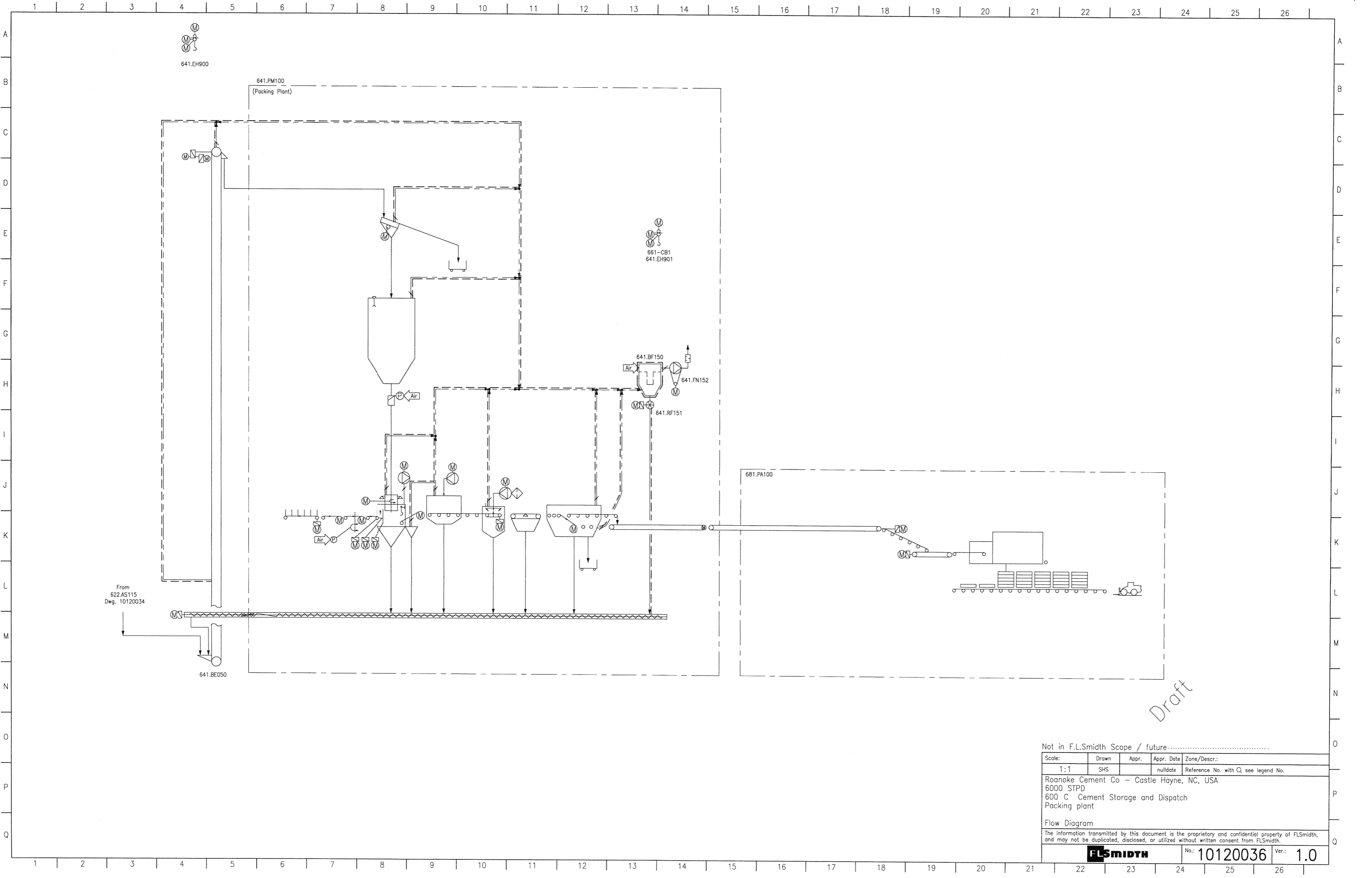




Draft

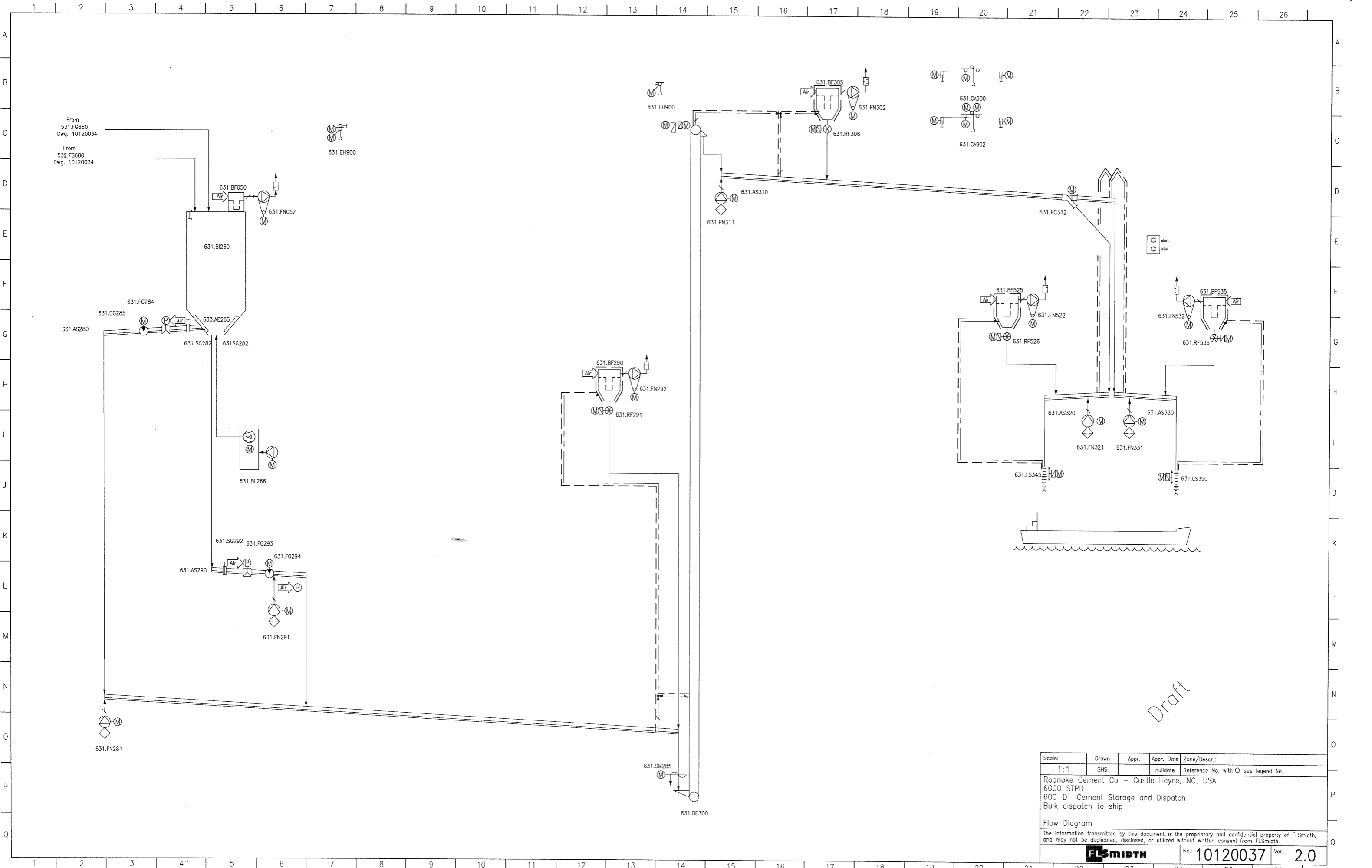
Not in F.L.Smith Scope / future.....

Scale:	Drawn	Appr.	Appr. Date	Zone/Descr.:	
1:1	SHS		nulldate	Reference No. with Q, see legend No.	
Roanoke Cement Co - Castle Hayne, NC, USA					
6000 STPD					
600 A Cement Storage and Dispatch					
Flow Diagram					
The information transmitted by this document is the proprietary and confidential property of FLSmidth, and may not be duplicated, disclosed, or utilized without written consent from FLSmidth.					
FLSMIDTH				No.: 10120034	Ver.: 2.0



Draft

Not in F.L.Smith Scope / future.....				
Scale:	Drawn	Appr.	Appr. Date	Zone/Descr.:
1:1	SHS		nulldate	Reference No. with Q, see legend No.
Roanoke Cement Co - Castle Hayne, NC, USA				
6000 STPD				
600 C Cement Storage and Dispatch				
Packing plant				
Flow Diagram				
The information transmitted by this document is the proprietary and confidential property of FLSmidth, and may not be duplicated, disclosed, or utilized without written consent from FLSmidth.				
FLSMIDTH			No.:	Ver.:
			10120036	1.0



From
531.FG680
Dwg. 10120034

From
532.FG680
Dwg. 10120034

Draft

Scale:	Drawn	Appr.	Appr. Date	Zone/Descr.:
1:1	SHS		nulldate	Reference No. with Q, see legend No.
Roanoke Cement Co - Castle Hayre, NC, USA				
6000 STPD				
600 D Cement Storage and Dispatch				
Bulk dispatch to ship				
Flow Diagram				
The information transmitted by this document is the proprietary and confidential property of FLSmidth, and may not be duplicated, disclosed, or utilized without written consent from FLSmidth.				
				No.: 10120037 Ver.: 2.0